

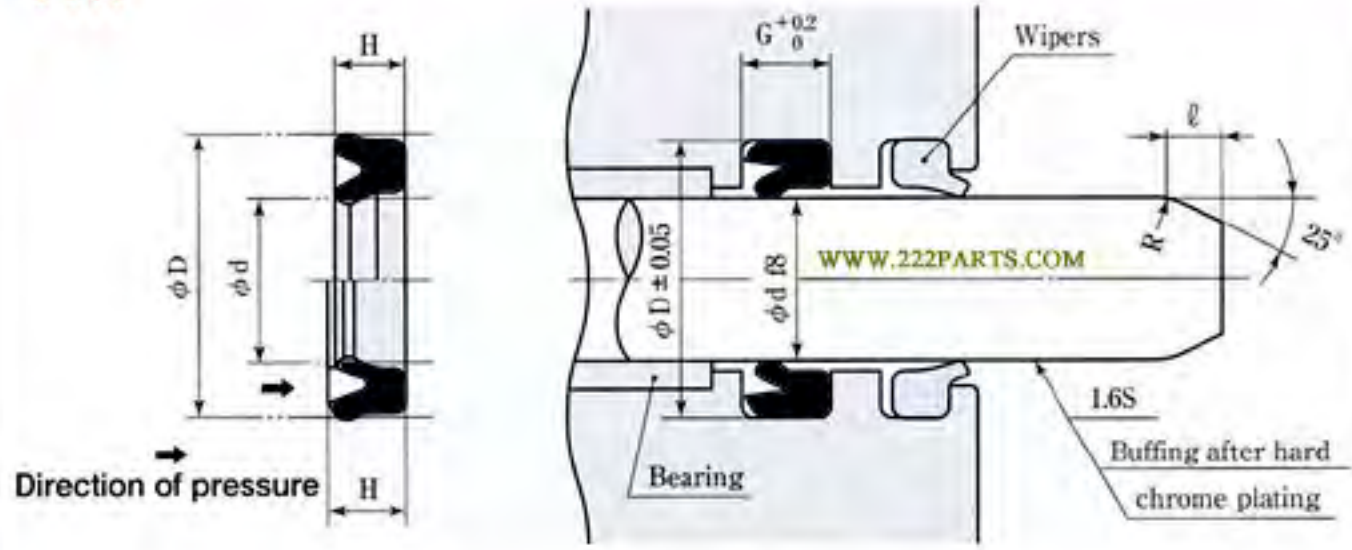
DIMENSION TABLE OF PRODUCT



Email : inbox@222parts.com, inbox_222parts@hotmail.com
 Tel.02-9393420 Fax. 02-9030080 โทร 1185 Hot line 085-5394997



PRY



Packing & Groove dimensions					Part No.	
d	D	H	G	l	Standard material (RN 713)	High temperature-resistant material (RF 704)
3	7	2.9	3.2	1.5	PRY- 3	PRY- 3F
4	8	2.9	3.2	1.5	PRY- 4	PRY- 4F
5	9	2.9	3.2	1.5	PRY- 5	PRY- 5F
6	10	3.5	4	1.5	PRY- 6	
8	12	3.5	4	1.5	PRY- 8	
10	14	3.5	4	1.5	PRY-10	
12	17	4	4.5	1.5	PRY-12	
14	19	4	4.5	1.5	PRY-14	
16	22	5	5.7	1.5	PRY-16	